

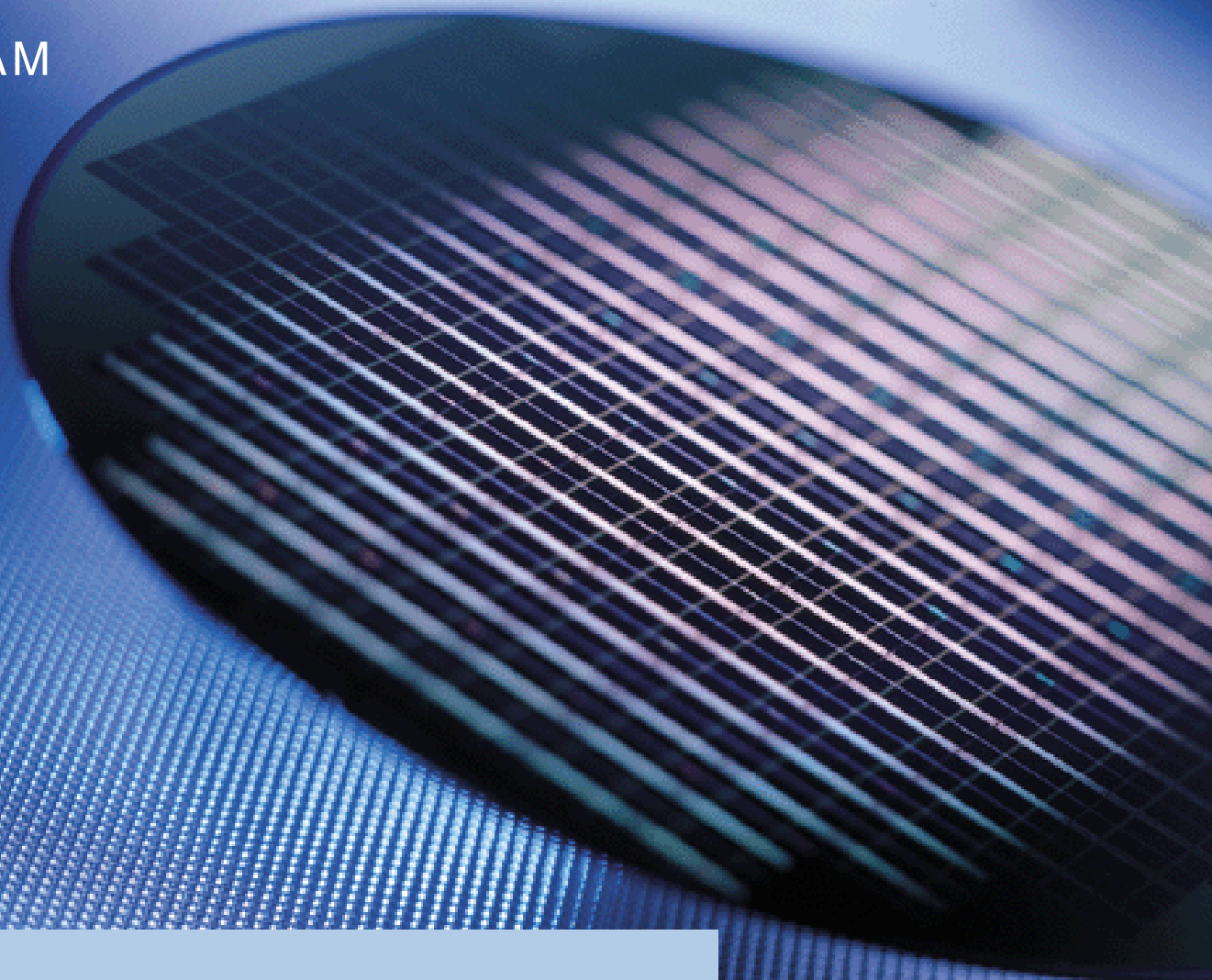
HYB39S512400AT(L)

HYB39S512800AT(L)

HYB39S512160AT(L)

512-Mbit Synchronous DRAM

SDRAM



Memory Products



Never stop thinking.

Edition 2004-03

**Published by Infineon Technologies AG,
St.-Martin-Strasse 53,
81669 München, Germany**

**© Infineon Technologies AG 2004.
All Rights Reserved.**

Attention please!

The information herein is given to describe certain components and shall not be considered as a guarantee of characteristics.

Terms of delivery and rights to technical change reserved.

We hereby disclaim any and all warranties, including but not limited to warranties of non-infringement, regarding circuits, descriptions and charts stated herein.

Information

For further information on technology, delivery terms and conditions and prices please contact your nearest Infineon Technologies Office (www.infineon.com).

Warnings

Due to technical requirements components may contain dangerous substances. For information on the types in question please contact your nearest Infineon Technologies Office.

Infineon Technologies Components may only be used in life-support devices or systems with the express written approval of Infineon Technologies, if a failure of such components can reasonably be expected to cause the failure of that life-support device or system, or to affect the safety or effectiveness of that device or system. Life support devices or systems are intended to be implanted in the human body, or to support and/or maintain and sustain and/or protect human life. If they fail, it is reasonable to assume that the health of the user or other persons may be endangered.

HYB39S512400AT(L)

HYB39S512800AT(L)

HYB39S512160AT(L)

512-Mbit Synchronous DRAM

SDRAM

Memory Products



Never stop thinking.

1	Overview	8
1.1	Features	8
1.2	Description	8
2	Pin Configuration	10
2.1	Signal Pin Description	10
2.2	Package P-TSOPII-54	11
2.3	Block Diagrams	12
3	Functional Description	15
3.1	Operation Definition	15
3.2	Initialization	16
3.3	Mode Register Definition	16
3.3.1	Burst Length	18
3.4	Commands	18
3.5	Operations	19
3.5.1	Read and write	19
3.5.2	DQM Function	20
3.5.3	Suspend Mode	20
3.5.4	Power Down	20
4	Electrical Characteristics	21
4.1	Operating Conditions	21
4.2	AC Characteristics	24
5	Package Outlines	27

Table 1	Performance	8
Table 2	Ordering Information	9
Table 3	Signal Pin Description	10
Table 4	Truth Table: Operation Command	15
Table 5	Burst Length and Sequence	18
Table 6	Bank Selection by Address Bits	19
Table 7	Absolute Maximum Ratings	21
Table 8	Input and Output Capacitances	21
Table 9	DC Characteristics	22
Table 10	I_{DD} Conditions	22
Table 11	I_{DD} Specifications	23
Table 12	AC Characteristics	24

List of Figures

Figure 1	Pinout P-TSOPII-54	11
Figure 2	Block Diagram for 128M × 4 SDRAM (13 / 12 / 2 addressing)	12
Figure 3	Block Diagram for 64M × 8 SDRAM (13 / 11 / 2 addressing)	13
Figure 4	Block Diagram for 32M × 16 SDRAM (13 / 10 / 2 addressing)	14
Figure 5	Measurement conditions for t_{AC} and t_{OH}	26
Figure 6	Package Outlines P-TSOPII-54	27

1 Overview

1.1 Features

- Fully Synchronous to Positive Clock Edge
- 0 to 70 °C operating temperature
- Four Banks controlled by BA0 & BA1
- Programmable $\overline{\text{CAS}}$ Latency: 2 & 3
- Programmable Wrap Sequence: Sequential or Interleave
- Programmable Burst Length: 1, 2, 4, 8 and full page
- Multiple Burst Read with Single Write Operation
- Automatic and Controlled Precharge Command
- Data Mask for Read / Write control ($\times 4$, $\times 8$)
- Data Mask for byte control ($\times 16$)
- Auto Refresh (CBR) and Self Refresh
- Power Down and Clock Suspend Mode
- 8192 refresh cycles / 64 ms (7,8 μs)
- Random Column Address every CLK (1-N Rule)
- Single 3.3 V \pm 0.3 V Power Supply
- LVTTTL Interface versions
- Plastic Packages:
P-TSOP11-54 400mil width ($\times 4$, $\times 8$, $\times 16$)

Table 1 Performance

Part Number Speed Code			-7	-7.5	-8	Unit
Speed Grade			PC133 2-2-2	PC133 3-3-3	PC100 2-2-2	-
max. Clock Frequency	@CL3	f_{CK}	143	133	125	MHz
		t_{CK3}	7	7.5	8	ns
		t_{AC3}	5.4	5.4	6	ns
	@CL2	t_{CK2}	7.5	10	10	ns
		t_{AC2}	5.4	6	6	ns

1.2 Description

The HYB 39S512[40/80/16]0AT(L) are four bank Synchronous DRAM's organized as 4 banks \times 32MBit \times 4, 4 banks \times 16MBit \times 8 and 4 banks \times 8Mbit \times 16 respectively. These synchronous devices achieve high speed data transfer rates for $\overline{\text{CAS}}$ -latencies by employing a chip architecture that prefetches multiple bits and then synchronizes the output data to a system clock. The chip is fabricated with INFINEON's advanced 0.14 μm 512Mbit DRAM process technology.

The device is designed to comply with all industry standards set for synchronous DRAM products, both electrically and mechanically. All of the control, address, data input and output circuits are synchronized with the positive edge of an externally supplied clock.

Operating the four memory banks in an interleave fashion allows random access operation to occur at higher rate than is possible with standard DRAMs. A sequential and gapless data rate is possible depending on burst length, $\overline{\text{CAS}}$ latency and speed grade of the device.

Auto Refresh (CBR) and Self Refresh operation are supported. These devices operates with a single 3.3 V \pm 0.3 V power supply. All 512Mbit components are housed in P-TSOP11-54 packages.

Table 2 Ordering Information

Type	Speed Grade	Package	Description
HYB 39S512400AT-7	PC133-222-520	P-TSOP-54-2 (400mil)	143MHz 4B × 32M × 4 SDRAM
HYB 39S512400AT-7.5	PC133-333-520	P-TSOP-54-2 (400mil)	133MHz 4B × 32M × 4 SDRAM
HYB 39S512400AT-8	PC100-222-620	P-TSOP-54-2 (400mil)	125MHz 4B × 32M × 4 SDRAM
HYB 39S512800AT-7	PC133-222-520	P-TSOP-54-2 (400mil)	143MHz 4B × 16M × 8 SDRAM
HYB 39S512800AT-7.5	PC133-333-520	P-TSOP-54-2 (400mil)	133MHz 4B × 16M × 8 SDRAM
HYB 39S512800AT-8	PC100-222-620	P-TSOP-54-2 (400mil)	125MHz 4B × 16M × 8 SDRAM
HYB 39S512160AT-7	PC133-222-520	P-TSOP-54-2 (400mil)	143MHz 4B × 8M × 16 SDRAM
HYB 39S512160AT-7.5	PC133-333-520	P-TSOP-54-2 (400mil)	133MHz 4B × 8M × 16 SDRAM
HYB 39S512160AT-8	PC100-222-620	P-TSOP-54-2 (400mil)	125MHz 4B × 8M × 16 SDRAM
HYB 39S512xx0ATL	PC100-xxx-620	P-TSOP-54-2 (400mil)	Low Power Versions (on request)

2 Pin Configuration

2.1 Signal Pin Description

Table 3 Signal Pin Description

Pin	Type	Signal	Polarity	Function
CLK	Input	Pulse	Positive Edge	Clock Input The system clock input. All of the SDRAM inputs are sampled on the rising edge of the clock.
CKE	Input	Level	Active High	Clock Enable Activates the CLK signal when high and deactivates the CLK signal when low, thereby initiating either the Power Down mode, Suspend mode, or the Self Refresh mode.
$\overline{\text{CS}}$	Input	Pulse	Active Low	Chip Select $\overline{\text{CS}}$ enables the command decoder when low and disables the command decoder when high. When the command decoder is disabled, new commands are ignored but previous operations continue.
$\overline{\text{RAS}}$ $\overline{\text{CAS}}$ $\overline{\text{WE}}$	Input	Pulse	Active Low	Command Signals When sampled at the positive rising edge of the clock, $\overline{\text{CAS}}$, $\overline{\text{RAS}}$, and $\overline{\text{WE}}$ define the command to be executed by the SDRAM.
A0 - A12	Input	Level	–	Address Inputs During a Bank Activate command cycle, A0-A12 define the row address (RA0-RA12) when sampled at the rising clock edge. During a Read or Write command cycle, A0-An define the column address (CA0-CAn) when sampled at the rising clock edge. CAn depends upon the SDRAM organization: 64M x4 SDRAM CAn = CA9, CA11 (Page Length = 2048 bits) 32M x8 SDRAM CAn = CA9 (Page Length = 1024 bits) 16M x16 SDRAM CAn = CA8 (Page Length = 512 bits) In addition to the column address, A10 (= AP) is used to invoke the autoprecharge operation at the end of the burst read or write cycle. If A10 is high, autoprecharge is selected and BA0, BA1 defines the bank to be precharged. If A10 is low, autoprecharge is disabled. During a Precharge command cycle, A10 (= AP) is used in conjunction with BA0 and BA1 to control which bank(s) to precharge. If A10 is high, all four banks will be precharged regardless of the state of BA0 and BA1. If A10 is low, then BA0 and BA1 are used to define which bank to precharge.
BA0, BA1	Input	Level	–	Bank Select Bank Select Inputs. Bank address inputs selects which of the four banks a command applies to.
DQx	Input Output	Level	–	Data Input/Output Data Input/Output pins operate in the same manner as on EDO or FPM DRAMs.

Table 3 Signal Pin Description

Pin	Type	Signal	Polarity	Function
DQM LDQM UDQM	Input	Pulse	Active High	Data Mask The Data Input/Output mask places the DQ buffers in a high impedance state when sampled high. In Read mode, DQM has a latency of two clock cycles and controls the output buffers like an output enable. In Write mode, DQM has a latency of zero and operates as a word mask by allowing input data to be written if it is low but blocks the write operation if DQM is high. One DQM input is present in x4 and x8 SDRAMs, LDQM and UDQM controls the lower and upper bytes in x16 SDRAMs.
V _{DD} V _{SS}	Supply	–	–	Power and Ground Power and ground for the input buffers and the core logic (3.3 V)
V _{DDQ} V _{SSQ}	Supply	–	–	Power and Ground for DQs Isolated power supply and ground for the output buffers to provide improved noise immunity.
NC	–	–	–	Not Connected No internal electrical connection is present.

2.2 Package P-TSOPII-54

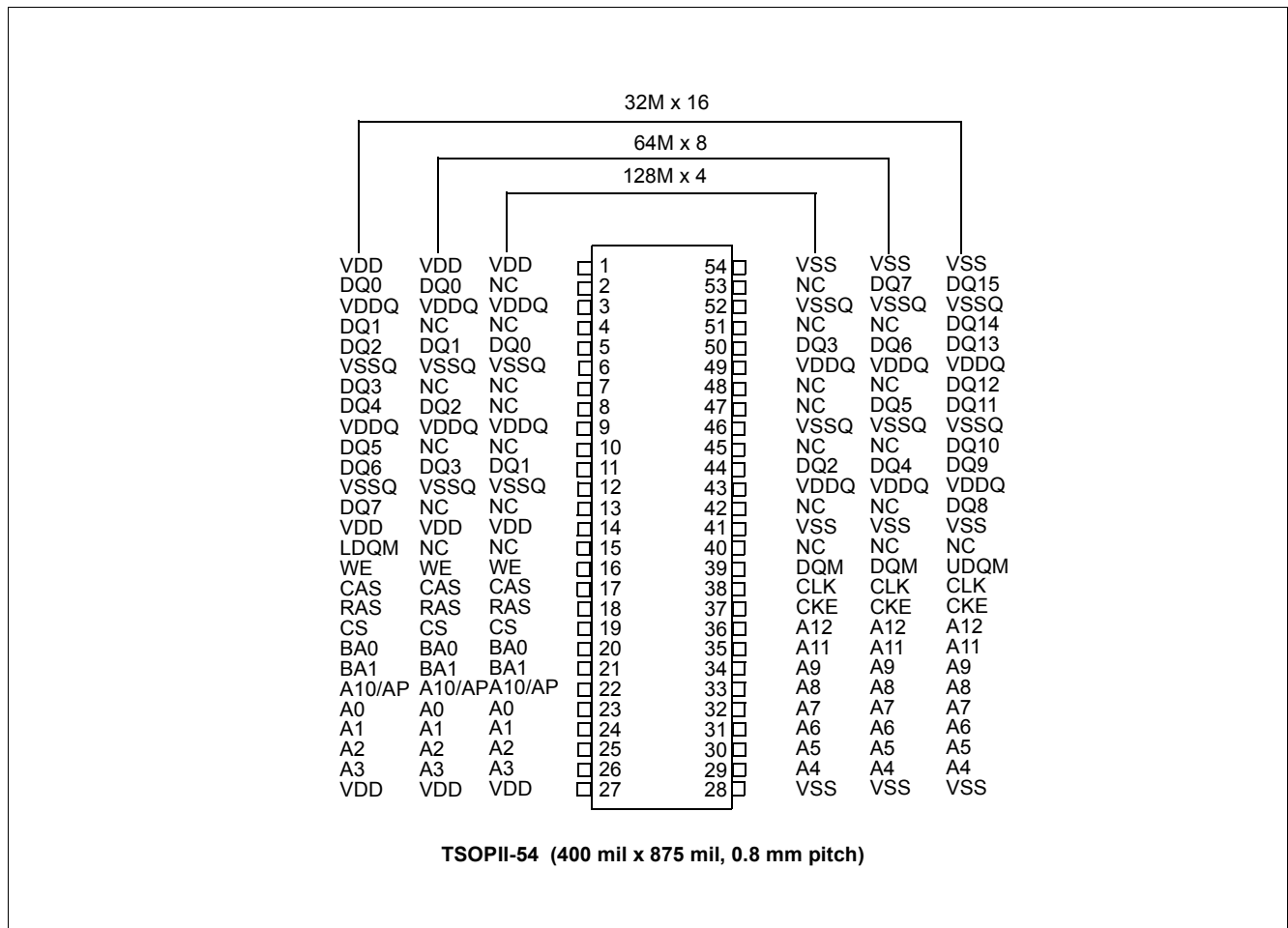


Figure 1 PinoutP-TSOPII-54

2.3 Block Diagrams

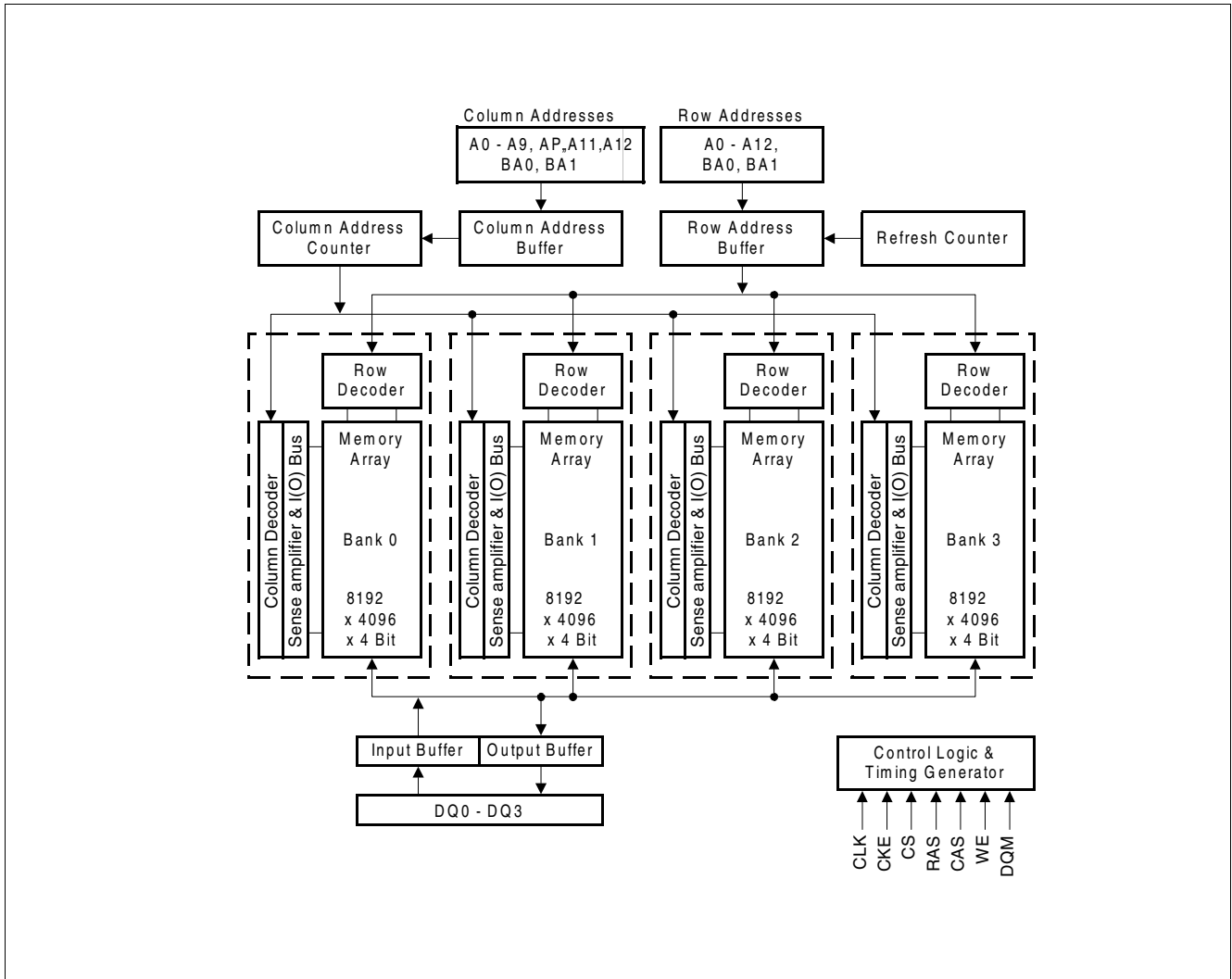


Figure 2 Block Diagram for 128M x 4 SDRAM (13 / 12 / 2 addressing)

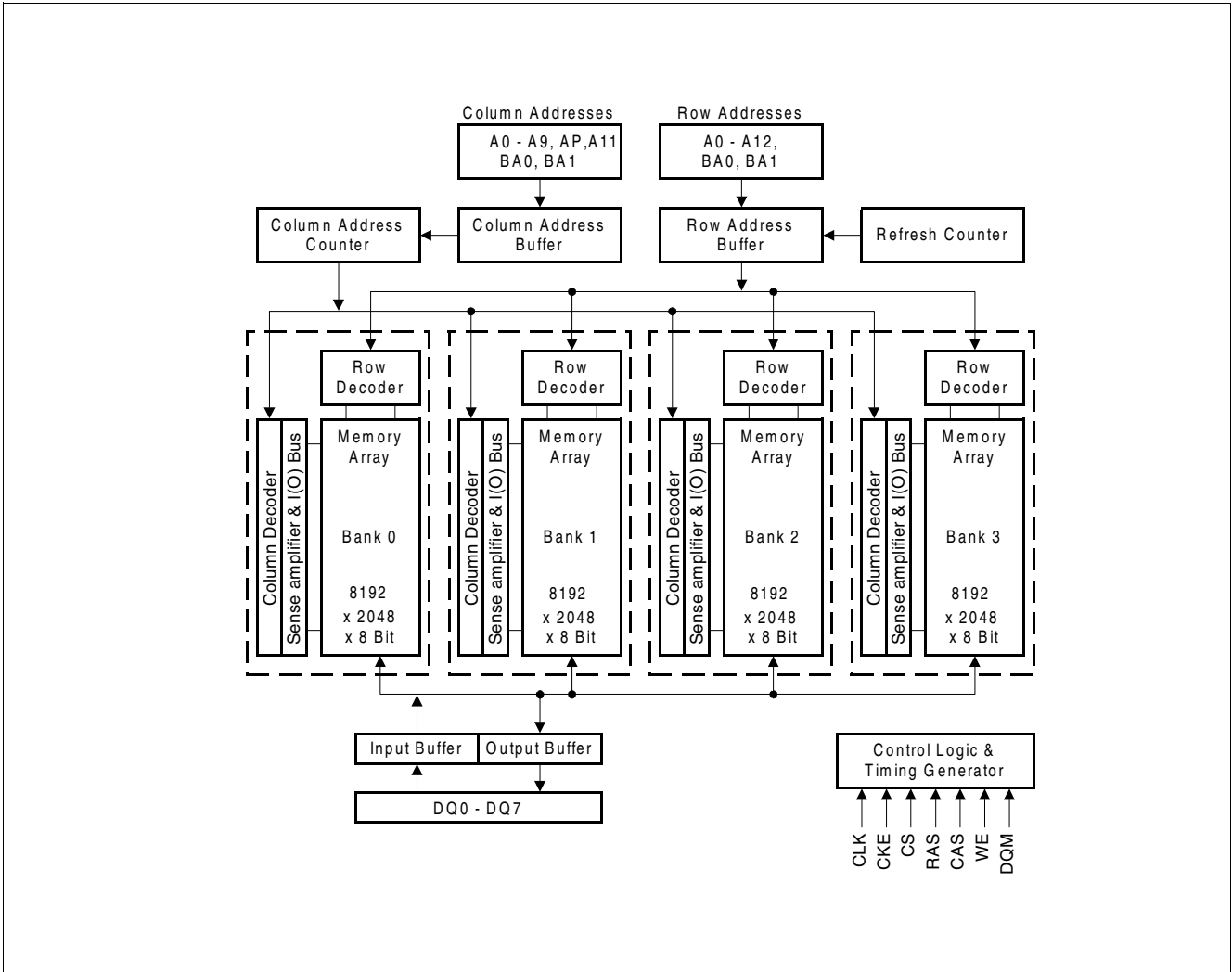


Figure 3 Block Diagram for 64M × 8 SDRAM (13 / 11 / 2 addressing)

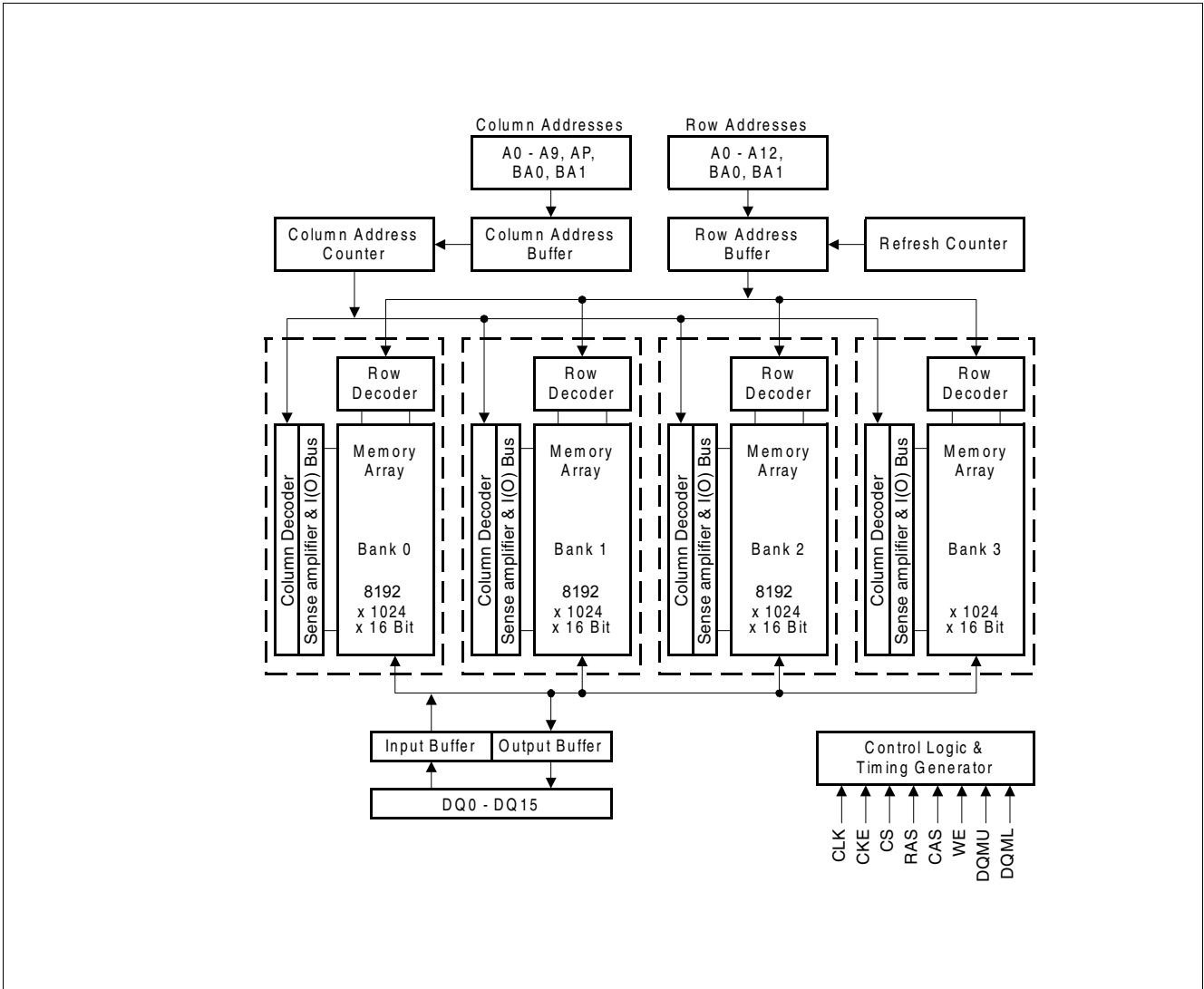


Figure 4 Block Diagram for 32M x 16 SDRAM (13 / 10 / 2 addressing)

3 Functional Description

3.1 Operation Definition

All SDRAM operations are defined by states of control signals \overline{CS} , \overline{RAS} , \overline{CAS} , \overline{WE} , and DQM at the positive edge of the clock. The following list shows the truth table for the operation commands.

Table 4 Truth Table: Operation Command

Operation	Devis State	CKE n-1 ¹⁾²⁾	CKE n ¹⁾²⁾	DQM 1)2)	BA0 BA1 ¹⁾²⁾	AP= A10 ¹⁾²⁾	Addr 1)2)	\overline{CS} 1)2)	\overline{RAS} 1)2)	\overline{CAS} 1)2)	\overline{WE} 1)2)
Bank Active	Idle ³⁾	H	X	X	V	V	V	L	L	H	H
Bank Precharge	Any	H	X	X	V	L	X	L	L	H	L
Precharge All	Any	H	X	X	X	H	X	L	L	H	L
Write	Active ³⁾	H	X	X	V	L	V	L	H	L	L
Write with Autopre-charge	Active ³⁾	H	X	X	V	H	V	L	H	L	L
Read	Active ³⁾	H	X	X	V	L	V	L	H	L	H
Read with Autopre-charge	Active ³⁾	H	X	X	V	H	V	L	H	L	H
Mode Register Set	Idle	H	X	X	V	V	V	L	L	L	L
No Operation	Any	H	X	X	X	X	X	L	H	H	H
Burst Stop	Active	H	X	X	X	X	X	L	H	H	L
Device Deselect	Any	H	X	X	X	X	X	H	X	X	X
Auto Refresh	Idle	H	H	X	X	X	X	L	L	L	H
Self Refresh Entry	Idle	H	L	X	X	X	X	L	L	L	H
Self Refresh Exit	Idle (Self Refr.)	L	H	X	X	X	X	H	X	X	X
								L	H	H	X
Clock Suspend Entry	Active	L	H	X	X	X	X	X	X	X	X
Power Down Entry (Precharge or active standby)	Idle	H	L	X	X	X	X	H	X	X	X
	Active ⁴⁾							L	H	H	H
Clock Suspend Exit	Active	L	H	X	X	X	X	X	X	X	X
Power Down Exit	Any (Power Down)	L	H	X	X	X	X	H	X	X	X
								L	H	H	L
Data Write/Output Enable	Active	H	X	L	X	X	X	X	X	X	X
Data Write/Output Disable	Active	H	X	H	X	X	X	X	X	X	X

- 1) V = Valid, x = Don't Care, L = Low Level, H = High Level
- 2) CKE_n signal is input level when commands are provided, CKE_{n-1} signal is input level one clock before the commands are provided.
- 3) This is the state of the banks designated by BA0, BA1 signals.
- 4) Power Down Mode can not be entered in a burst cycle. When this command asserted in the burst mode cycle device is in clock suspend mode.

3.2 Initialization

The default power on state of the mode register is supplier specific and may be undefined. The following power on and initialization sequence guarantees the device is preconditioned to each users specific needs. Like a conventional DRAM, the Synchronous DRAM must be powered up and initialized in a predefined manner. During power on, all V_{DD} and V_{DDQ} pins must be built up simultaneously to the specified voltage when the input signals are held in the "NOP" state. The power on voltage must not exceed $V_{DD} + 0.3$ V on any of the input pins or V_{DD} supplies. The CLK signal must be started at the same time. After power on, an initial pause of 200 μ s is required followed by a precharge of all banks using the precharge command. To prevent data contention on the DQ bus during power on, it is required that the DQM and CKE pins be held high during the initial pause period. Once all banks have been precharged, the Mode Register Set Command must be issued to initialize the Mode Register. A minimum of eight Auto Refresh cycles (CBR) are also required. These may be done before or after programming the Mode Register. Failure to follow these steps may lead to unpredictable start-up modes.

3.3 Mode Register Definition

The Mode register designates the operation mode at the read or write cycle. This register is divided into four fields. First, a Burst Length Field which sets the length of the burst, Second, an Addressing Selection bit which programs the column access sequence in a burst cycle (interleaved or sequential). Third, a \overline{CAS} Latency Field to set the access time at clock cycle. Fourth, an Operation mode field to differentiate between normal operation (Burst read and burst Write) and a special Burst Read and Single Write mode. After the initial power up, the mode set operation must be done before any activate command. Any content of the mode register can be altered by re-executing the mode set command. All banks must be in precharged state and CKE must be high at least one clock before the mode set operation. After the mode register is set, a Standby or NOP command is required. Low signals of \overline{RAS} , \overline{CAS} , and \overline{WE} at the positive edge of the clock activate the mode set operation. Address input data at this timing defines parameters to be set as shown in the previous table.

MR

Mode Register Definition

(BA[1:0] = 00_B)

BA1	BA0	A12 A13	A11	A10	A9	A8	A7	A6	A5	A4	A3	A2	A1	A0
0	0	MODE						CL		BT	BL			
reg. addr		w						w		w	w			

Field	Bits	Type	Description
BL	[2:0]	w	<p>Burst Length Number of sequential bits per DQ related to one read/write command <i>Note: All other bit combinations are RESERVED</i></p> <p>000 1 001 2 010 4 011 8 111 Full Page</p>
BT	3	w	<p>Burst Type See Table 5 for internal address sequence of low order address bits.</p> <p>0 Sequential 1 Interleaved</p>
CL	[6:4]	w	<p>CAS Latency Number of full clocks from read command to first data valid window. <i>Note: All other bit combinations are RESERVED</i></p> <p>010 2 011 3</p>
Operating Mode	[13:7]	w	<p>Operating Mode <i>Note: All other bit combinations are RESERVED.</i></p> <p>0 burst read / burst write 1 burst read / single write</p>

3.3.1 Burst Length

Table 5 Burst Length and Sequence

Burst Length	Starting Column Address			Order of Accesses Within a Burst	
	A2	A1	A0	Type = Sequential	Type = Interleaved
2			0	0-1	0-1
			1	1-0	1-0
4		0	0	0-1-2-3	0-1-2-3
		0	1	1-2-3-0	1-0-3-2
		1	0	2-3-0-1	2-3-0-1
		1	1	3-0-1-2	3-2-1-0
8	0	0	0	0-1-2-3-4-5-6-7	0-1-2-3-4-5-6-7
	0	0	1	1-2-3-4-5-6-7-0	1-0-3-2-5-4-7-6
	0	1	0	2-3-4-5-6-7-0-1	2-3-0-1-6-7-4-5
	0	1	1	3-4-5-6-7-0-1-2	3-2-1-0-7-6-5-4
	1	0	0	4-5-6-7-0-1-2-3	4-5-6-7-0-1-2-3
	1	0	1	5-6-7-0-1-2-3-4	5-4-7-6-1-0-3-2
	1	1	0	6-7-0-1-2-3-4-5	6-7-4-5-2-3-0-1
	1	1	1	7-0-1-2-3-4-5-6	7-6-5-4-3-2-1-0
Full Page	n	n	n	Cn, Cn+1, Cn+2	not supported

Note:

1. For a burst length of two, A1-Ai selects the two-data-element block; A0 selects the first access within the block.
2. For a burst length of four, A2-Ai selects the four-data-element block; A0-A1 selects the first access within the block.
3. For a burst length of eight, A3-Ai selects the eight-data-element block; A0-A2 selects the first access within the block.
4. Whenever a boundary of the block is reached within a given sequence above, the following access wraps within the block.

3.4 Commands

Refresh Mode

SDRAM has two refresh modes, Auto Refresh and Self Refresh. Auto Refresh is similar to the $\overline{\text{CAS}}$ -before- $\overline{\text{RAS}}$ refresh of conventional DRAMs. All banks must be precharged before applying any refresh mode. An on-chip address counter increments the word and the bank addresses and no bank information is required for either refresh mode.

The chip enters the Auto Refresh mode, when $\overline{\text{RAS}}$ and CAS are held low and CKE and $\overline{\text{WE}}$ are held high at a positive clock transition. The mode restores word line after the refresh and no external precharge command is necessary. A minimum t_{RC} time is required between two automatic refreshes in a burst refresh mode. The same rule applies to any access command after the automatic refresh operation.

The chip has an on-chip timer and the Self Refresh mode is available. The mode restores the word lines after $\overline{\text{RAS}}$, $\overline{\text{CAS}}$, and CKE are low and $\overline{\text{WE}}$ is high at a positive clock transition. All external control signals including the clock are disabled. Returning CKE to high enables the clock and initiates the refresh exit operation. After the exit command, at least one t_{RC} delay is required prior to any access command.

Auto Precharge

Two methods are available to precharge SDRAMs. In an automatic precharge mode, the $\overline{\text{CAS}}$ timing accepts one extra address, CA10, to determine whether the chip restores or not after the operation. If CA10 is high when a Read Command is issued, the Read with Auto-Precharge function is initiated. If CA10 is high when a Write Command is issued, the Write with Auto-Precharge function is initiated. The SDRAM automatically enters the precharge operation a time delay equal to t_{WR} (“write recovery time”) after the last data in.

A burst operation with Auto-Precharge may only be interrupted by a burst start to another bank. It must not be interrupted by a precharge or a burst stop command.

Precharge Command

There is also a separate precharge command available. When $\overline{\text{RAS}}$ and $\overline{\text{WE}}$ are low and $\overline{\text{CAS}}$ is high at a clock timing, it triggers the precharge operation. Three address bits, BA0, BA1 and A10 are used to define banks as shown in the following list. The precharge command can be imposed one clock before the last data out for $\overline{\text{CAS}}$ latency = 2 and two clocks before the last data out for $\overline{\text{CAS}}$ latency = 3. Writes require a time delay t_{wr} (“write recovery time”) of 2 clocks minimum from the last data out to apply the precharge command.

Table 6 Bank Selection by Address Bits

A10	BA0	BA1	
0	0	0	Bank 0
0	0	1	Bank 1
0	1	0	Bank 2
0	1	1	Bank 3
1	X	X	all Banks

Burst Termination

Once a burst read or write operation has been initiated, there are several methods in which to terminate the burst operation prematurely. These methods include using another Read or Write Command to interrupt an existing burst operation, use a Precharge Command to interrupt a burst cycle and close the active bank, or using the Burst Stop Command to terminate the existing burst operation but leave the bank open for future Read or Write Commands to the same page of the active bank. When interrupting a burst with another Read or Write Command care must be taken to avoid DQ contention. The Burst Stop Command, however, has the fewest restrictions making it the easiest method to use when terminating a burst operation before it has been completed. If a Burst Stop command is issued during a burst write operation, then any residual data from the burst write cycle will be ignored. Data that is presented on the DQ pins before the Burst Stop Command is registered will be written to the memory.

3.5 Operations

3.5.1 Read and write

When $\overline{\text{RAS}}$ is low and both $\overline{\text{CAS}}$ and $\overline{\text{WE}}$ are high at the positive edge of the clock, a $\overline{\text{RAS}}$ cycle starts. According to address data, a word line of the selected bank is activated and all of sense amplifiers associated to the wordline are set. A $\overline{\text{CAS}}$ cycle is triggered by setting $\overline{\text{RAS}}$ high and $\overline{\text{CAS}}$ low at a clock timing after a necessary delay, t_{RCD} , from the $\overline{\text{RAS}}$ timing. $\overline{\text{WE}}$ is used to define either a read ($\overline{\text{WE}} = \text{H}$) or a write ($\overline{\text{WE}} = \text{L}$) at this stage.

SDRAM provides a wide variety of fast access modes. In a single $\overline{\text{CAS}}$ cycle, serial data read or write operations are allowed at up to a 166 MHz data rate. The numbers of serial data bits are the burst length programmed at the mode set operation, i.e., one of 1, 2, 4 and 8 and full page. Column addresses are segmented by the burst length and serial data accesses are done within this boundary. The first column address to be accessed is supplied at the $\overline{\text{CAS}}$ timing and the subsequent addresses are generated automatically by the programmed burst length and its sequence. For example, in a burst length of 8 with interleave sequence, if the first address is ‘2’, then the rest of the burst sequence is 3, 0, 1, 6, 7, 4, and 5.

Full page burst operation is only possible using the sequential burst type and page length is a function of the I/O organization and column addressing. Full page burst operation does not self terminate once the burst length has been reached. In other words, unlike burst lengths of 2, 4 and 8, full page burst continues until it is terminated using another command.

Similar to the page mode of conventional DRAMs, burst read or write accesses on any column address are possible once the $\overline{\text{RAS}}$ cycle latches the sense amplifiers. The maximum t_{RAS} or the refresh interval time limits the number of random column accesses. A new burst access can be done even before the previous burst ends. The interrupt operation at every clock cycle is supported. When the previous burst is interrupted, the remaining addresses are overridden by the new address with the full burst length. An interrupt which accompanies an operation change from a read to a write is possible by exploiting DQM to avoid bus contention.

When two or more banks are activated sequentially, interleaved bank read or write operations are possible. With the programmed burst length, alternate access and precharge operations on two or more banks can realize fast serial data access modes among many different pages. Once two or more banks are activated, column to column interleave operation can be performed between different pages.

3.5.2 DQM Function

DQM has two functions for data I/O read and write operations. During reads, when it turns to "high" at a clock timing, data outputs are disabled and become high impedance after two clock delay (DQM Data Disable Latency t_{DQZ}). It also provides a data mask function for writes. When DQM is activated, the write operation at the next clock is prohibited (DQM Write Mask Latency $t_{\text{DQW}} = \text{zero clocks}$).

3.5.3 Suspend Mode

During normal access mode, CKE is held high enabling the clock. When CKE is low, it freezes the internal clock and extends data read and write operations. One clock delay is required for mode entry and exit (Clock Suspend Latency t_{CSL}).

3.5.4 Power Down

In order to reduce standby power consumption, a power down mode is available. All banks must be precharged and the necessary Precharge delay (t_{RP}) must occur before the SDRAM can enter the Power Down mode. Once the Power Down mode is initiated by holding CKE low, all of the receiver circuits except CLK and CKE are gated off. The Power Down mode does not perform any refresh operations, therefore the device can't remain in Power Down mode longer than the Refresh period (t_{REF}) of the device. Exit from this mode is performed by taking CKE "high". One clock delay is required for Power Down mode entry and exit.

4 Electrical Characteristics

4.1 Operating Conditions

Table 7 Absolute Maximum Ratings

Parameter	Symbol	Values		Unit	Note/ Test Condition
		min.	max.		
Voltage on I/O pins relative to V_{SS}	V_{IN}, V_{OUT}	-1.0	+4.6	V	
Power supply voltage	V_{DD}, V_{DDQ}	-1.0	+4.6	V	
Operating Temperature	T_A	0	+70	°C	
Storage temperature range	T_{STG}	-55	+150	°C	
Power dissipation per SDRAM component	P_D	-	1	W	
Data out current (short circuit)	I_{OUT}	-	50	mA	

Attention: Stresses above those listed here may cause permanent damage to the device. Exposure to absolute maximum rating conditions for extended periods may affect device reliability. Maximum ratings are absolute ratings; exceeding only one of these values may cause irreversible damage to the integrated circuit.

Table 8 Input and Output Capacitances¹⁾

Parameter	Symbol	Values ²⁾		Unit
		min.	max.	
Input Capacitance: CK, \overline{CK}	C_{I1}	2.5	3.5	pF
Input capacitance (A0-A12, BA0,BA1, \overline{RAS} , \overline{CAS} , \overline{WE} , \overline{CS} , CKE, DQM)	C_{I2}	2.5	3.8	pF
Input / Output capacitance (DQ)	C_{I0}	4.0	6.0	pF

1) $T_A = 0$ to 70 °C; $V_{DD}, V_{DDQ} = 3.3$ V \pm 0.3 V, $f = 1$ MHz

2) Capacitance values are shown for TSOP-54 packages. Capacitance values for TFBGA packages are lower by 0.5 pF

Table 9 DC Characteristics¹⁾

Parameter	Symbol	Values		Unit	Note/ Test Condition
		min.	max.		
Supply Voltage	V_{DD}	3.0	3.6	V	2)
I/O Supply Voltage	V_{DDQ}	3.0	3.6	V	2)
Input high voltage	V_{IH}	2.0	$V_{DDQ}+0.3$	V	2)3)
Input low voltage	V_{IL}	-0.3	0.8	V	2)3)
Output high voltage ($I_{OUT} = -4.0$ mA)	V_{OH}	2.4	-	V	2)
Output low voltage ($I_{OUT} = 4.0$ mA)	V_{OL}	-	0.4	V	2)
Input leakage current, any input ($0\text{ V} < V_{IN} < V_{DD}$, all other inputs = 0 V)	I_{IL}	-5	5	μA	
Output leakage current (DQs are disabled, $0\text{ V} < V_{OUT} < V_{DDQ}$)	I_{OL}	-5	5	μA	

1) $T_A = 0$ to 70 °C

2) All voltages are referenced to V_{SS}

3) V_{IH} may overshoot to $V_{DDQ} + 2.0$ V for pulse width of < 4 ns with 3.3 V. V_{IL} may undershoot to -2.0 V for pulse width < 4.0 ns with 3.3 V. Pulse width measured at 50% points with amplitude measured peak to DC reference.

Table 10 I_{DD} Conditions

Parameter	Symbol
Operating Current Single bank, burst length 4 $I_O = 0$ mA	I_{DD1}
Precharge Standby Current in Power Down Mode $\overline{CS} = V_{IH,min}$; $CKE \leq V_{IL,max}$	I_{DD2P}
Precharge Standby Current in Non-Power Down Mode $\overline{CS} = V_{IH(min.)}$, $CKE \geq V_{IH(min.)}$	I_{DD2N}
Active Power-Down Standby Current one bank active state(max. 4 banks) $\overline{CS} = V_{IH(min.)}$, $CKE \geq V_{IH(min.)}$	I_{DD3N}
Active Standby Current one bank active state (max. 4 banks) $\overline{CS} = V_{IH(min.)}$, $CKE \leq V_{IL(max.)}$	I_{DD3P}
Burst Operating Current Read command cycling	I_{DD4}
Auto Refresh Current Auto Refresh command cycling $t_{RFC} = t_{RFC(min.)}$	I_{DD5}
Self Refresh Current Self Refresh Mode, $CKE=0.2V$, $t_{CK} = \text{infinity} \times 16$	I_{DD6}

Table 11 I_{DD} Specifications

Symbol	-7		-7.5		-8		Unit	Note/Test Condition ¹⁾
	Typ.	Max.	Typ.	Max.	Typ.	Max.		
I_{DD1}	131	145	123	145	95	110	mA	2) 3)
I_{DD2P}	0.6	3	0.6	3	0.6	3	mA	2)
I_{DD2N}	25	31	23	31	19	25	mA	2)
I_{DD3N}	27	35	26	35	21	30	mA	2)
I_{DD3P}	2	4	2	4	2	4	mA	2)
I_{DD4}	102	123	97	123	79	100	mA	2) 3)
I_{DD5}	270	300	255	300	240	270	mA	$t_{RFC} = t_{RFC(min.)}$ ⁴⁾
I_{DD6}	2.1	4	2.1	4	2.1	4	mA	Standard

1) $T_A = 0$ to 70 °C; $V_{SS} = 0$ V, V_{DD} , $V_{DDQ} = +3.3$ V \pm 0.3 V

2) These parameters depend on the cycle rate. All values are measured at 133 MHz for “-7” and “-7.5” and at 100 MHz for “-8” components with the outputs open. Input signals are changed once during t_{ck} .

3) These parameters are measured with continuous data stream during read access and all DQ toggling. CL=3 and BL=4 is assumed and the V_{DDQ} current is excluded.

4) $t_{RFC} = t_{RFC(min.)}$ “burst refresh”.

4.2 AC Characteristics
Table 12 AC Characteristics¹⁾²⁾³⁾

Parameter	Symbol	-7		-7.5		-8		Unit	Notes
		PC133-222		PC133-333		PC100-222			
		min.	max.	min.	max.	min.	max.		

Clock and Clock Enable

Clock Cycle Time	t_{CK}	7	–	7.5	–	8	–	ns	
\overline{CAS} Latency = 3		7.5	–	10	–	10	–	ns	
\overline{CAS} Latency = 2									
Clock Frequency	f_{CK}	–	143	–	133	–	125	MHz	
\overline{CAS} Latency = 3		–	133	–	100	–	100	MHz	
\overline{CAS} Latency = 2									
Access Time from Clock	t_{AC}	–	5.4	–	5.4	–	6	ns	3)4)5)
\overline{CAS} Latency = 3		–	5.4	–	6	–	6	ns	
\overline{CAS} Latency = 2									
Clock High Pulse Width	t_{CH}	2.5	–	2.5	–	3	–	ns	
Clock Low Pulse Width	t_{CL}	2.5	–	2.5	–	3	–	ns	
Transition time	t_T	0.3	1.2	0.3	1.2	0.5	10	ns	

Setup and Hold Times

Input Setup Time	t_{IS}	1.5	–	1.5	–	2	–	ns	6)
Input Hold Time	t_{IH}	0.8	–	0.8	–	1	–	ns	6)
CKE Setup Time	t_{CK}	1.5	–	1.5	–	2	–	ns	6)
CKE Hold Time	t_{CKH}	0.8	–	0.8	–	1	–	ns	6)
Mode Register Set-up to Active delay	t_{RSC}	2	–	2	–	2	–	CLK	
Power Down Mode Entry Time	t_{SB}	0	7	0	7.5	0	8	ns	

Common Parameters

Row to Column Delay Time	t_{RCD}	15	–	20	–	20	–	ns	7)
Row Precharge Time	t_{RP}	15	–	20	–	20	–	ns	7)
Row Active Time	t_{RAS}	37	100k	45	100k	48	100k	ns	7)
Row Cycle Time	t_{RC}	60	–	67	–	70	–	ns	7)
Row Cycle Time during Auto Refresh	t_{RFC}	63		67		70		ns	
Activate(a) to Activate(b) Command period	t_{RRD}	14	–	15	–	16	–	ns	7)
\overline{CAS} (a) to \overline{CAS} (b) Command period	t_{CCD}	1	–	1	–	1	–	CLK	

Refresh Cycle

Refresh Period (8192 cycles)	t_{REF}	–	64	–	64	–	64	ms	
Self Refresh Exit Time	t_{SREX}	1	–	1	–	1		CLK	

Table 12 AC Characteristics¹⁾²⁾³⁾

Parameter	Symbol	-7		-7.5		-8		Unit	Notes
		PC133-222		PC133-333		PC100-222			
		min.	max.	min.	max.	min.	max.		

Read Cycle

Data Out Hold Time	t_{OH}	3	–	3	–	3	–	ns	³⁾⁶⁾
Data Out to Low Impedance Time	t_{LZ}	1	–	1	–	0	–	ns	
Data Out to High Impedance Time	t_{HZ}	3	7	3	7	3	8	ns	
DQM Data Out Disable Latency	t_{DQZ}	–	2	–	2	–	2	CLK	

Write Cycle

Last Data Input to Precharge (Write without AutoPrecharge)	t_{WR}	14	–	15	–	16	–	ns	⁸⁾
Last Data Input to Activate (Write with Auto Precharge)	$t_{DAL(min.)}$	$(t_{WR}/t_{CK}) + (t_{RP}/t_{CK})$						CLK	⁹⁾
DQM Write Mask Latency	t_{DQW}	0	–	0	–	0	–	CLK	

- $T_A = 0$ to 70 °C; $V_{SS} = 0$ V, $V_{DD}, V_{DDQ} = 3.3$ V \pm 0.3 V, $t_T = 1$ ns
- For proper power-up see the operation section of this data sheet.
- AC timing tests for LV-TTL versions have $V_{IL} = 0.4$ V and $V_{IH} = 2.4$ V with the timing referenced to the 1.4 V crossover point. The transition time is measured between V_{IH} and V_{IL} . All AC measurements assume $T_T = 1$ ns with the AC output load circuit shown in figure below. Specified t_{ac} and t_{oh} parameters are measured with a 50 pF only, without any resistive termination and with an input signal of 1V / ns edge rate between 0.8 V and 2.0 V.
- If clock rising time is longer than 1 ns, a time $(T_T/2 - 0.5)$ ns has to be added to this parameter.
- if T_T is longer than 1 ns, a time $(T_T - 1)$ ns has to be added to this parameter.
- Access time from clock t_{ac} is 4.6 ns for PC133 components with no termination and 0 pF load, Data out hold time t_{oh} is 1.8 ns for PC133 components with no termination and 0 pF load.
- This parameter determines the minimum required number of clock cycles as follows: the required number of clock cycles is given by the value of the specified parameter divided by the period of the clock. Non-integer values must be rounded up to the next greater integer value.
- It is recommended to use two clock cycles between the last data-in and the precharge command in case of a write command without Auto-Precharge. One clock cycle between the last data-in and the precharge command is also supported, but restricted to cycle times t_{CK} greater or equal the specified t_{WR} value, where t_{CK} is equal to the actual system clock time.
- When a Write command with AutoPrecharge has been issued, a time of $t_{DAL(min.)}$ has to be fulfilled before the next Activate Command can be applied. For each of the terms, if not already an integer, round up to the next highest integer. t_{CK} is equal to the actual system clock time.

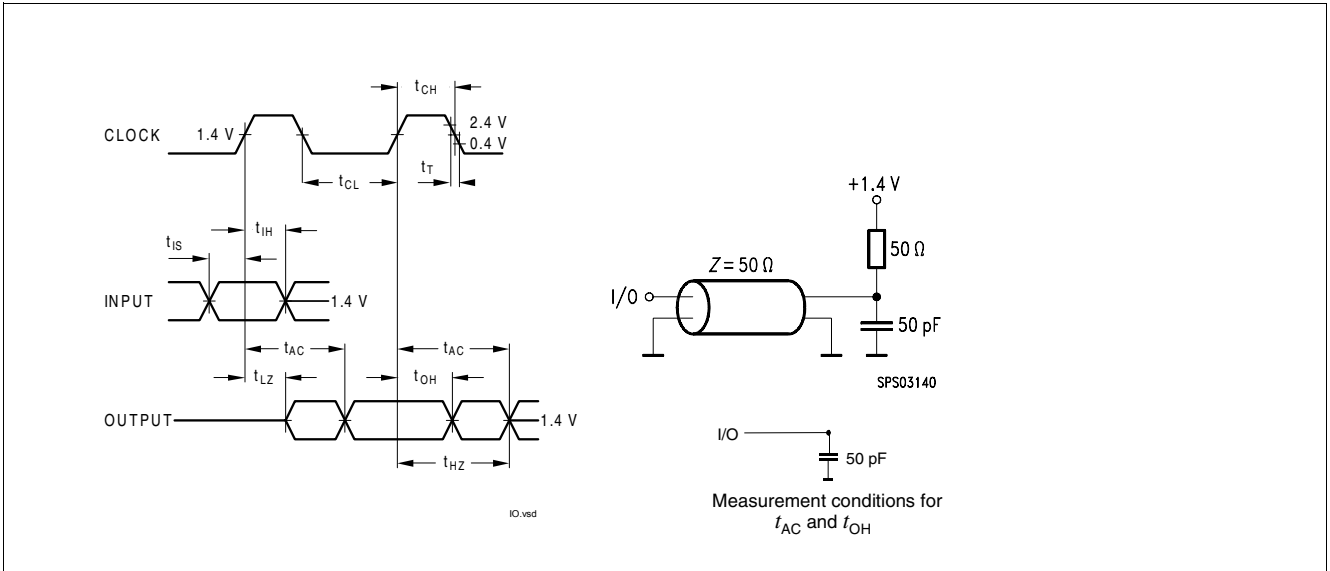


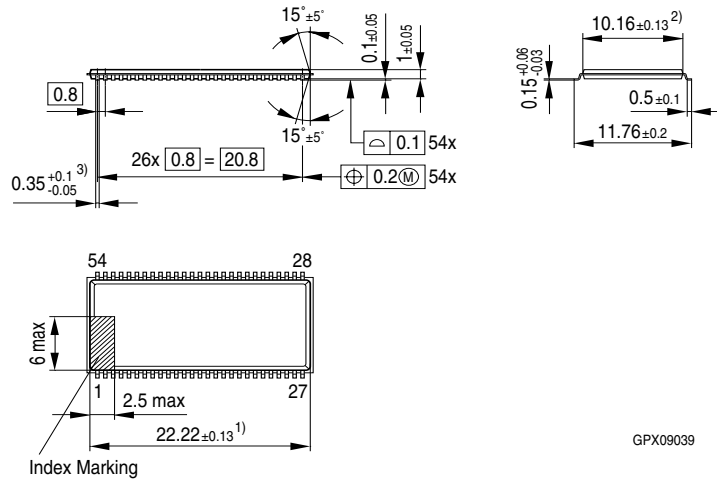
Figure 5 Measurement conditions for t_{AC} and t_{OH}

5 Package Outlines

Plastic Package P-TSOPII-54

(400 mil, 0.8 mm lead pitch)

Thin Small Outline Package, SMD



GPX09039

- ¹⁾ Does not include plastic or metal protrusion of 0.15 max per side
- ²⁾ Does not include plastic protrusion of 0.25 max per side
- ³⁾ Does not include dambar protrusion of 0.13 max per side

Figure 6 Package Outlines P-TSOPII-54

<http://www.infineon.com>